

Illustration - Type - E

3 601 AA1 080  
 Stand } 19-10-11  
 Issue } 19-10-16

Fig. /Abb. 1

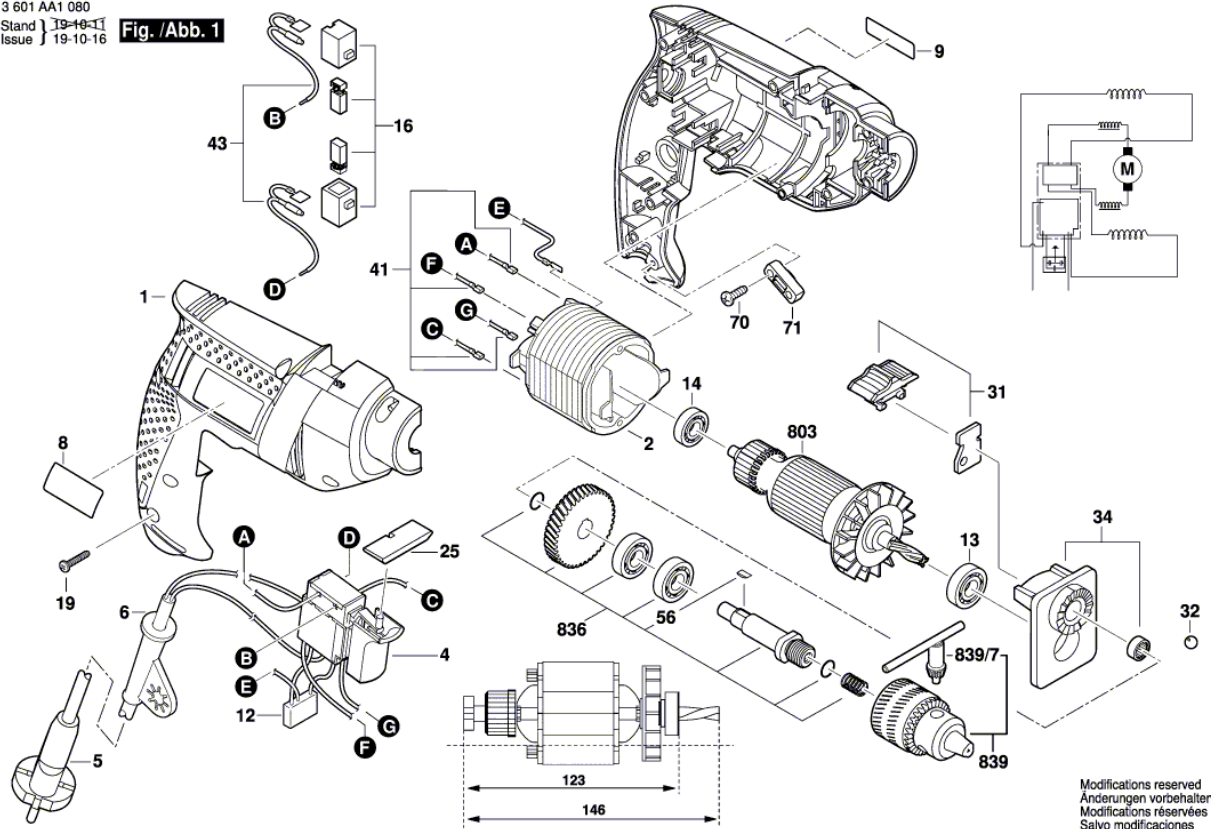
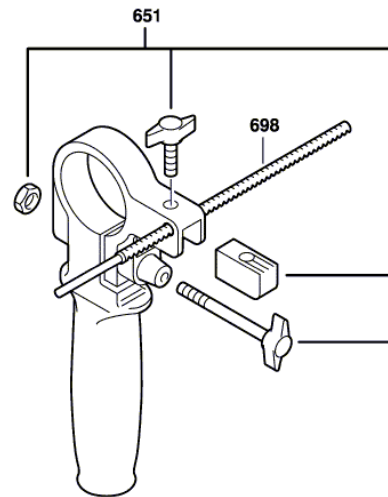


Illustration - Type - E

3 601 AA1 080  
Stand } 10-12-07  
Issue } **Fig. /Abb. 2**



Modifications reserved  
Änderungen vorbehalten  
Modifications réservées  
Salvo modificaciones

## Spare parts list

Item	Part Number	Description	Illustration
1	1 619 PB4 746	Housing	1
2	1 619 PA0 678	Field 220-240V	1
4	1 619 PA0 679	On-Off Switch	1
5	1 619 PA2 001	Power supply cord	1
6	1 619 PB2 058	Grommet Ø 9 mm	1
8	1 619 PB3 909	Nameplate	1
9	1 619 PA9 112	Manufacturer's nameplate GSB 550	1
12	1 619 PA0 702	Suppression Capacitor	1
13	1 619 PA0 681	groove ball bearing	1
14	1 619 PA0 680	groove ball bearing	1
16	1 619 PA1 407	Carbon-Brush Set	1
19	1 619 PA0 683	Torx Oval-Head Screw	1
25	1 619 PA0 684	Lever	1
31	1 619 PA0 701	Change-Over Switch	1
32	F 000 615 033	Ball	1
34	1 619 PA0 685	Bearing Bracket	1
41	1 619 PA6 599	Cable	1
43	1 619 PA0 703	Suppressor Box	1
56	1 619 PA0 690	Woodruff Key	1
70	F 000 616 083	Tapping Screw	1
71	F 000 616 084	Fastening Clamp	1
803	1 619 PA0 697	Armature 220-240V	1
836	1 619 PA1 858	Drilling Spindle	1
839	1 619 PA1 689	Key Chuck	1
839/7	1 619 PA0 694	Chuck Wrench	1
651	1 619 PB4 323	Auxiliary Handle	2
698	2 603 001 009	Depth-Gauge	2